

# Cheetah Systems

Industrial Material Handling & Labeling Solutions

6253 147th Ave. North / Clearwater, FL 33760 / 727-217-6719 / Fax; 727-490-4384 / [sales@IndustrialTurntable.com](mailto:sales@IndustrialTurntable.com)

[www.IndustrialTurntable.com](http://www.IndustrialTurntable.com)

## Industrial Turntable with adjustable bottle conveyor Ring Guide

Fax or "scan and email" completed form to request your quote. Please include your contact info in the space provided below in case we have any questions.

Email: [sales@industrialturtable.com](mailto:sales@industrialturtable.com)

Fax: 727 490 4384

Turntable Diameter Desired?

\_\_\_\_\_ inches

Desired Material for table top?

\_\_\_\_\_ available choices: Steel, Stainless Steel, Aluminum or Plastic (please specify type & thickness)

Turntable frame material desired?  
\_\_\_\_\_  
\_\_\_\_\_

Desired RPM?

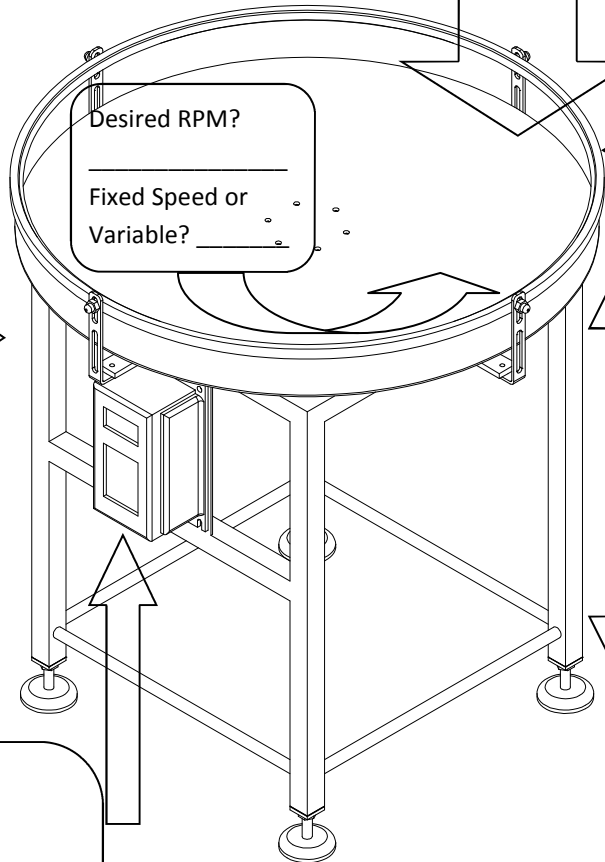
Fixed Speed or Variable? \_\_\_\_\_

Ring Height? From table top to center of ring?  
\_\_\_\_\_ inches

Number of Rings?  
\_\_\_\_\_

Table Height from floor to table top?  
\_\_\_\_\_ inches

+/- \_\_\_\_\_ inches



Turntable Controls? Standard controls are 110 VAC input Allen Bradley Variable Speed Drives. Fixed speed turntables come with simple On/Off pushbuttons. Your preference?  
\_\_\_\_\_  
\_\_\_\_\_

Your Contact info: (please print)

Name: \_\_\_\_\_

Company: \_\_\_\_\_

Email: \_\_\_\_\_

Phone: \_\_\_\_\_